

SKULL-M

Skull-M – wall-mounted bi-directional motorized tripod.

Its special design saves space and is suitable for narrow passageways.

Such solution can be used both indoors and outdoors

Smooth and silent operation, LED indicators for clear user guidance, compatibility with various access control systems and RFID readers, reliable servo-driven mechanism with robust locking system and integrated automatic drop-arm system – all these makes Skull-M a universal solution to elevate your security to the next level.



ROBUST TRIPOD TURNSTILE WITH STYLISH DESIGN



Key features:

- Tripod is supplied ready for installation;
- Possibility of tripod WI-FI control with the help of TWIC wireless control panel;
- Availability of a backup battery connection;
- Possibility to use tripod both indoors and outdoors;
- Wired remote control panel in standard kit;
- Elegant cabinet equipped with integrated LED lighting to display access status;
- Low power consumption;
- Integrated drop-arm system with automatic reset;
- Compatible with various access control systems;
- Bi-directional control: allows both entry and exit access control;
- Wall-mounting design;
- Servo-driven mechanism.

*option



www.tiso.global
+380 (44) 291-21-11
e-mail: sales@tiso.global



Technical Specifications:

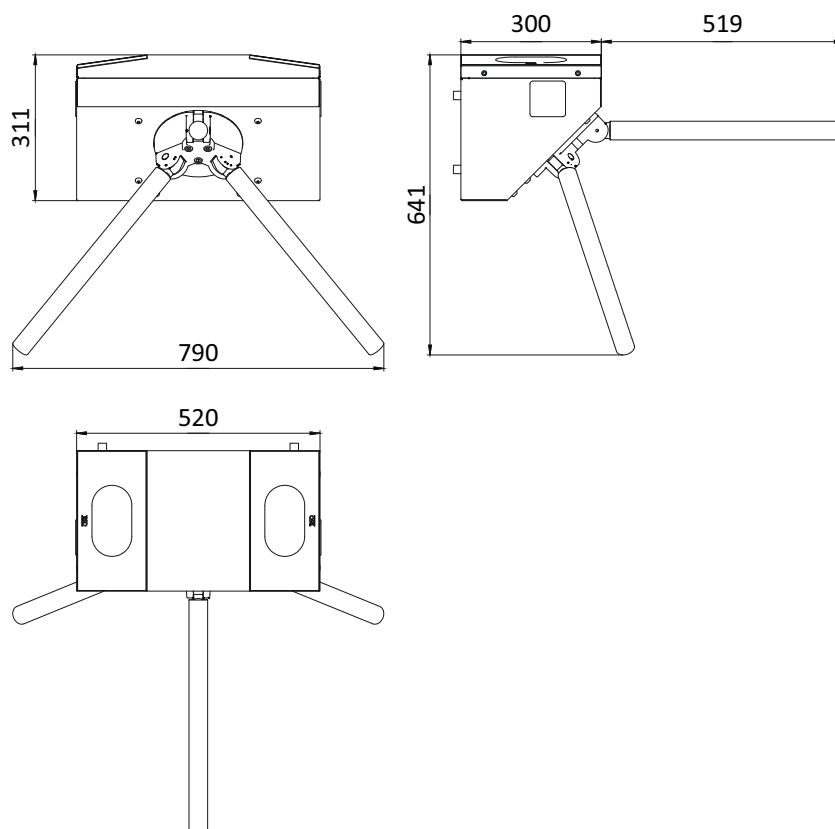
Model	Skull-M
Width, mm	833
Length, mm	793
Height, mm	616
Passage width, mm	600
Mechanism	Servo-driven (Triservo-M)
Blocking system	Two electromagnetic stoppers
Emergency mode (fire-alarm)	Fail-safe (lowering the leash)
Drop arm function	Drop arm function can be activated when power is on Drop arm function activates automatically when power goes off
MCBF, cycles	5 000 000

Electrical Specifications:

Maximum power consumption, W	55
Voltage	From the AC (100-240)V, 50/60Hz; from a DC source 12 V
Indication	DotLights®, RFIDLights®, EdgeLights® FloorLights®

Finishing

Standard housing	Brushed SS AISI 304
Available housing	Brushed SS AISI 316; Polished SS AISI 304; Polished SS AISI 316; Powder coated RAL



Specifications are subject to change without prior notice.

